

# T-60

## 1000V Fuse Holder



### Features

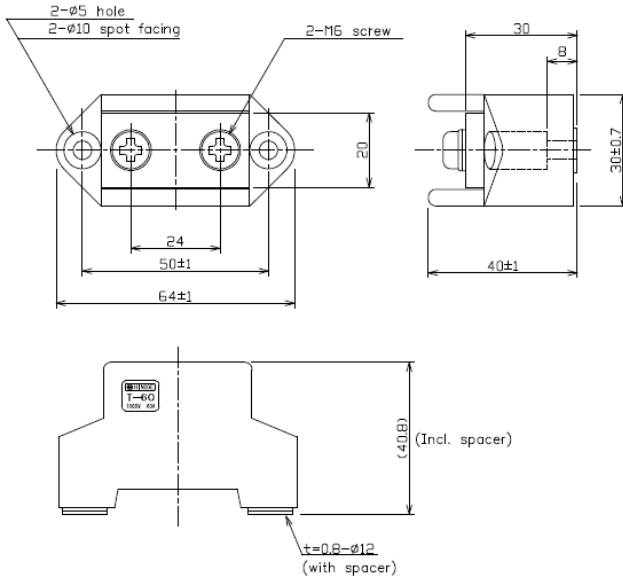
- Able to withstand use with fuses of up to 1000V (used in pairs)
- Separate type

### Specifications

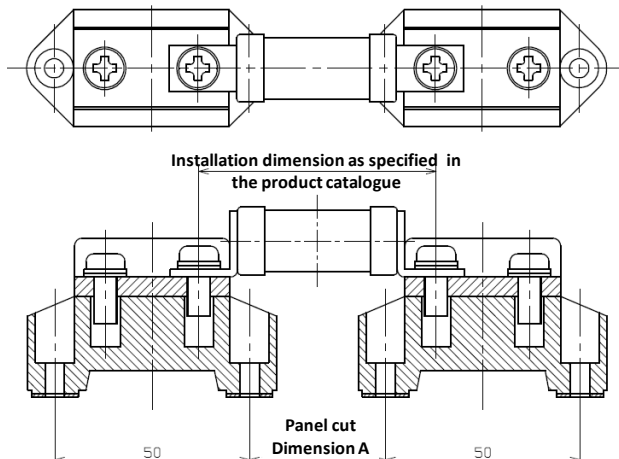
Catalogue number	T-60
Rated insulation voltage	1000V
Rated current	60A
Screw tightening torque	3.3~3.9 N·m
Withstand voltage	AC2500V, 50Hz, For 1minute
Ambient air temperature	-30°C~+90°C
Weight	125g
Material	Ceramic



### Dimensions (mm)



### Installation Dimensions



### Applicable fuses

Type	Rated voltage	Rated current	Panel cut / Dimension A
250GH	250V	Up to 125A	16
250FH	250V	Up to 60A	16
25FH	250V	Up to 75A	16
25SHA	250V	Up to 150A	16
250GA	250V	Up to 150A	16
25LKA	250V	Up to 100A	18
350GH	350V	Up to 100A	16
50SHA	500V	Up to 80A	30.5
500GA	500V	Up to 80A	30.5
660GH	660V	Up to 100A	36.5
660GA	660V	Up to 75A	36.5
600FH	600V	Up to 55A	36.5
600FHM	600V	Up to 55A	36.5
60FH	600V	Up to 55A	36.5
66LKA	660V	Up to 100A	35
750GH	750V	Up to 100A	36.5
750FH	750V	Up to 55A	36.5
700FHS	700V	Up to 75A	36.5
70SHA	700V	Up to 75A	36.5
1000GH	1000V	Up to 80A	55
100SHA	1000V	Up to 50A	55

Note 1: When using the holders with a fuse that is a rated current of over 60A, please make sure that the steady current doesn't exceed 60A.

Note 2: Two holders need to be ordered for use in pairs. Please place an order of even-numbered quantity.

For inquiries, please contact our sales department at;

Tel: 03-3860-8661 Fax: 03-3860-8660 E-mail: [uketsuke@hinodedenki.co.jp](mailto:uketsuke@hinodedenki.co.jp)

All specified data in this leaflet is based on available information at the time of publication, and the products and/or specifications may be subject to change without notice. We recommend that all our customers check the latest product information on our web site (<http://www.hinodedenki.co.jp>) as well as contacting us before placing orders.