

HTM06 / HTM08

FEATURES

- Supports 1000V rated voltage
- Suitable for generic applications
Can be used with 250V, 660V, 1000V and various other fuses



HTM06



HTM08

Specifications

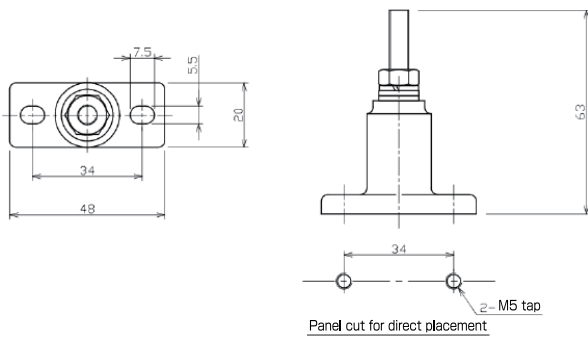
	HTM06	HTM08
Rated Voltage	1000V	1000V
Rated Amperage*1	60A	100A
Applicable Wires	Up to 22mm ² (M6)	Up to 38mm ² (M8)
Installation	Direct installation	Direct installation
Insulation Resistance	2000MΩ or higher	2000MΩ or higher
Withstand voltage	AC3000V 50-60Hz 1 minute	AC3000V 50-60Hz 1 minute
Material	PBT	PBT

*1 Current at which continuous current flow is possible.

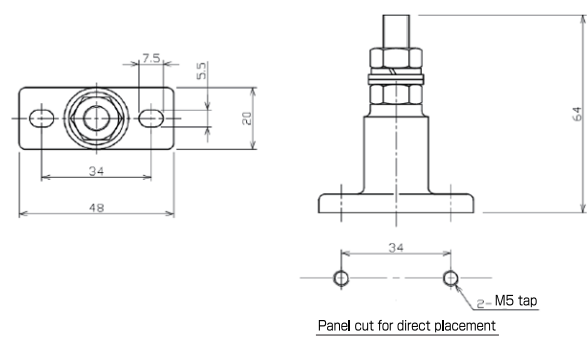
*2 The sizes for each series are given. In the event of using a fuse with a rated current in excess of 60A(HTM06) or 100A(HTM08), please do not use with a continuous current flow in excess of 60A(HTM06) or 100A(HTM08).

Dimensions

HTM06



HTM08



Applicable fuses HTM06

Type	Rated Voltage	Rated Amperage*2
250GH	250V	Up to 125A
250FH	250V	Up to 60A
25FH	250V	Up to 75A
25SHA	250V	Up to 150A
250GA	250V	Up to 150A
25LKA	250V	Up to 100A
350GH	350V	Up to 100A
50SHA	500V	Up to 80A
500GA	500V	Up to 80A
660GH	660V	Up to 100A
600FH	600V	Up to 55A
60FH	600V	Up to 55A
600FHM	600V	Up to 55A
660GA	660V	Up to 75A
66LKA	660V	Up to 100A
660HTP	660V	Up to 100A
600BTP	600V	Up to 125A
750GH	750V	Up to 100A
750FH	750V	Up to 55A
70SHA	700V	Up to 75A
700FH	700V	Up to 75A
1000GH	1000V	Up to 80A
1000SHA	1000V	Up to 50A

HTM08

Type	Rated Voltage	Rated Amperage*2
250GH	250V	160A~250A
25SH	250V	75A~150A
350GH	350V	125A~200A
660GH	660V	125A~200A
66LKB	660V	100A~200A
660HTP	660V	125A~200A
70SHB	700V	60A~75A
750GH	750V	125A~200A
48LFB	48V	All
96LFB	96V	All