

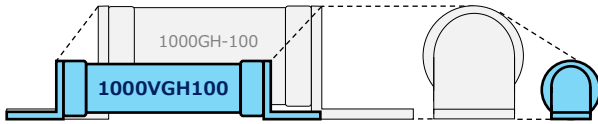
# New Product 1000VGH Series



## Features

- Compact series added to 1000V fuses lineup. Contributing to space saving.

e.g.) Compared to 1000GH-100(conventional type)



volume ratio

Series maximum:

**77% downsizing(100A)**

\*Series average:

30% downsizing realized



- Recognized by UL (No. E143197)
- It is available to attach an alarm indicating fuse (micro switch can be installed).\*

\*When purchasing a product with an alarm indicating fuse, enter "S" immediately after the ampere rating in the product name. (e, g:1000VGH016S)

\*Alarm indicating fuse is move on 10V.

## Specification

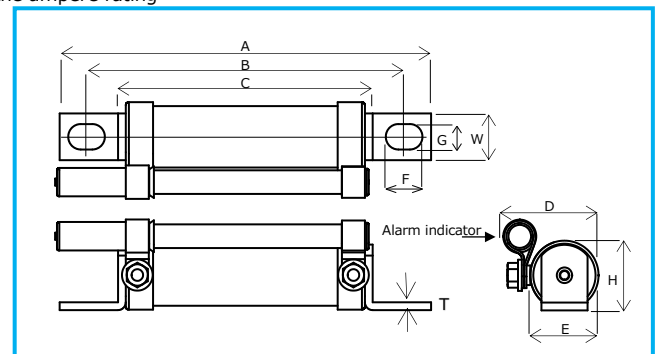
Rated voltage and blocking capacity : AC1000V - 100kA

DC1000V-100kA (L/R=0.5ms) 【16~100A】

(L/R=1.0ms) 【125~300A】

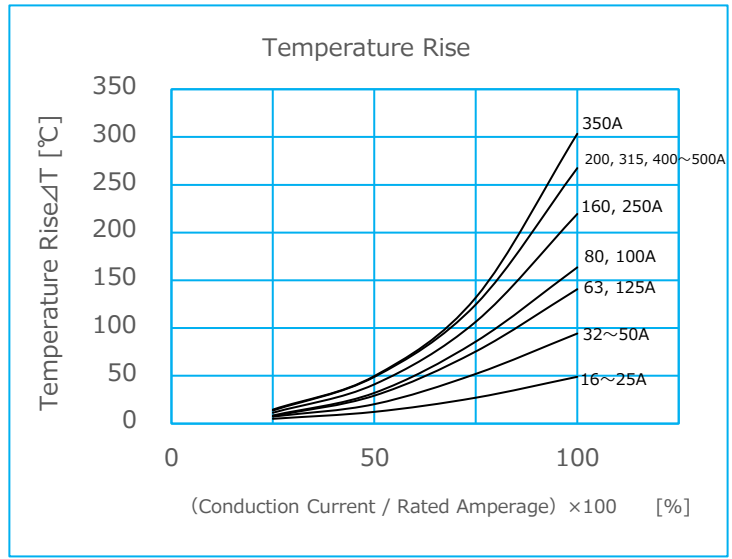
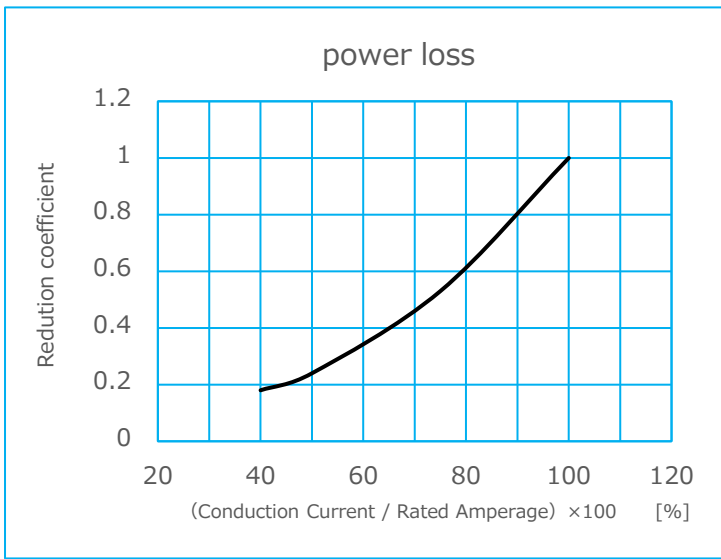
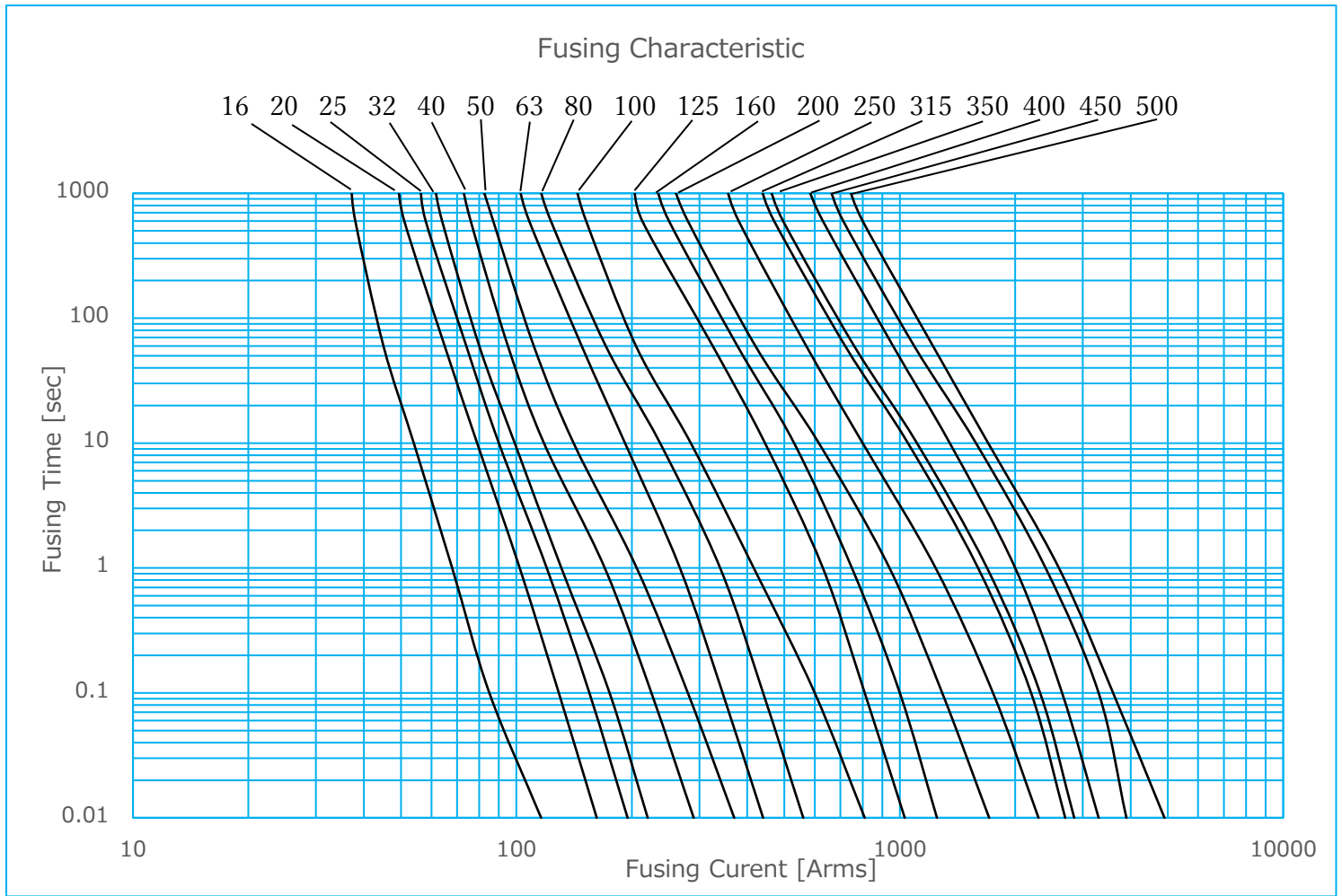
(L/R=1.5ms) 【400~500A】

CCC approved:AC1000V-50kA / DC800V-50kA (L/R=10ms)



- Minimum block-off current : AC1000V / DC1000V -8 times of rated current.
- Maximum arc voltage : 2100V

Type	Rated Amperage [A]	Fusing I <sup>2</sup> t [A <sup>2</sup> s]	ShutdownI <sup>2</sup> t [A <sup>2</sup> s] (at AC1000V-100kA)	Power loss [W]	Dimensions(mm)									
					A	B	C	D	E	F	G	H	W	T
1000VGH016	16	19	480	4.1	97	83	66	24	17.8	9.5	6.5	18	12	2
1000VGH020	20	34	770	4.7										
1000VGH025	25	54	1080	6.2										
1000VGH032	32	77	1420	9.5										
1000VGH040	40	138	2190	12										
1000VGH050	50	238	3320	15										
1000VGH063	63	311	4100	20										
1000VGH080	80	553	6590	29										
1000VGH100	100	1050	12000	34										
1000VGH125	125	1700	16200	36	117	97	69	32	24	14	9	26	20	3
1000VGH160	160	2800	26700	52										
1000VGH200	200	4980	47400	73										
1000VGH250	250	8590	81600	84	126	99	69	40	31	16	10.5	35	25	3
1000VGH315	315	15300	146000	110	127	101	70	46	37	13	11	40	30	3
1000VGH350	350	16800	160000	146										
1000VGH400	400	19900	190000	143										
1000VGH450	450	34300	326000	147	132	100	72	53	45	15.5	11	48.5	32	4
1000VGH500	500	44900	427000	155										



Agency

contact information (for inquiries)

Topic No.T22-06E\_rev.2.1

**HINODE Electric CO.,LTD**

〒121-0064

1-18-9 Hokima Adachi-KU, Tokyo

<https://www.hinodedenki.co.jp/en>    [int@hinodedenki.co.jp](mailto:int@hinodedenki.co.jp)

\*Note that the descriptions in this topic are subject to change without notice for product improvements or for other reasons.