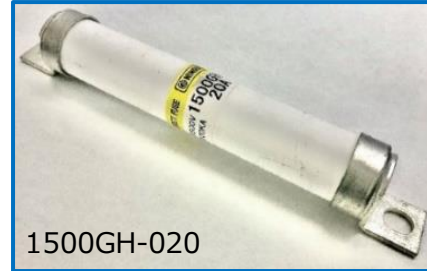


1500GH Series



Features

- Low-cost, slim tubular fuses for 1500 V.
- Ideal for energy storage systems and high voltage controls panels equipment requiring high voltages.
- It is available to attach an alarm indicating fuse(micro switch can be installed)*

When purchasing a product with an alarm indicating fuse, enter "S" immediately after the ampere rating in the product name. (e.g:1500GH016S) *alarm indicating fuse is move on 10V.

specifications

- Rated voltage and blocking capacity : (UL approved) AC1500V – 100kA / DC1500V (L/R=2ms) – 100kA
(CCC approved) AC1500V – 50kA / DC1200V (L/R=10ms) – 50kA
- Minimum block-off current : AC1500V / DC1500V - 8 times of rated current.
- Maximum arc voltage : 4000V

Type	Rated current [A]	Fusing I ² t [A ² s]	Shutdown I ² t [A ² s] AC1500V-100kA	Power loss [W]	Dimensions [mm]											weight [g]	Fig	Standard Approved
					A	B	C	D*	E	F	G	H	W	T	M			
1500GH-016	16	35	810	5.6	135	122	107	27	20	8	6.5	22	14	2	95	1	UL	
1500GH-020	20	55	950	8.1														
1500GH-025	25	80	1140	10														
1500GH-032	32	140	1650	14														
1500GH-040	40	240	2520	15														
1500GH-050	50	320	3180	24														
1500GH-063	63	560	5400	31														
1500GH-080	80	956	9100	42														
1500GH-100	100	1700	16200	43	157	137	109	32	24	14	9	25.5	20	3	160	1	UL	
1500GH-125	125	2810	26700	54														
1500GH-160	160	5000	47500	68														
1500GH-200	200	8700	82700	96	167	141	110	46	37	13	11	41	30	3	390	1	CCC	
1500GH-250	250	15300	146000	113														
1500GH-315	315	25300	241000	142														
1500GH-350	350	34400	327000	149	172	141	112	54	45	15.5	11	48	32	4	580	1	CCC	
1500GH-400	400	44800	425600	157														
1500GH-510	510	79700	757100	175														
1500GH-630	630	137000	1301500	213	172	141	112	54	45	15.5	11	52	32	8	96	1160	2	CCC
1500GH-720	720	179400	1704300	243														

* In the case of attached with alarm indicating fuse (1500GH-***S)

Dimensions

Fig1

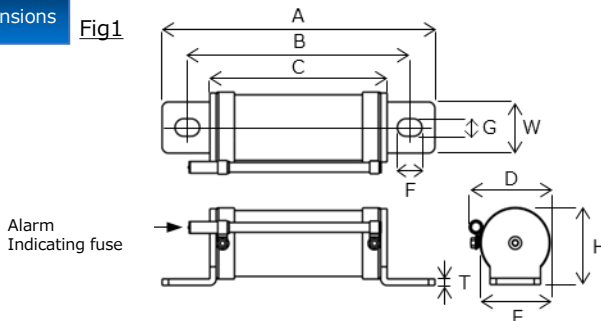
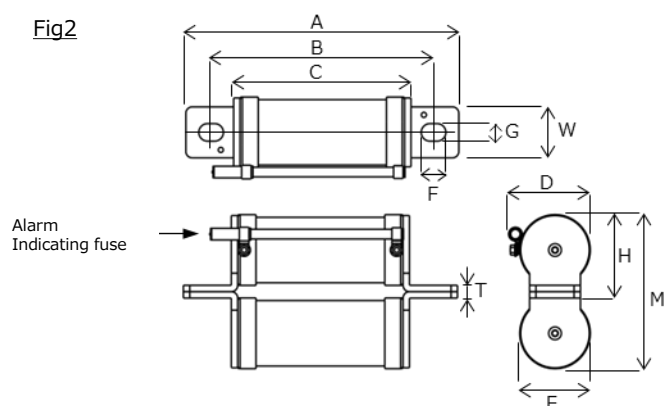
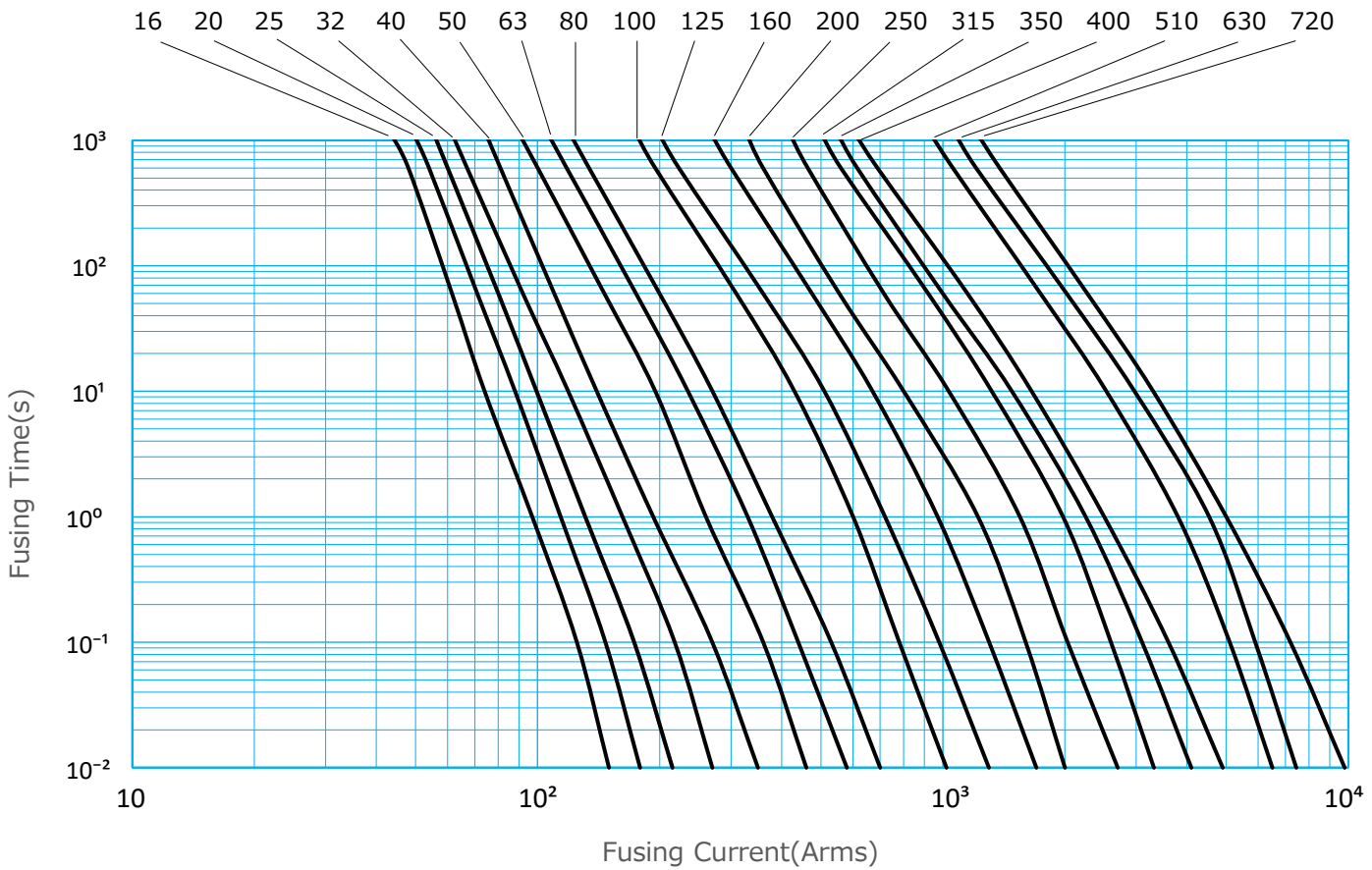


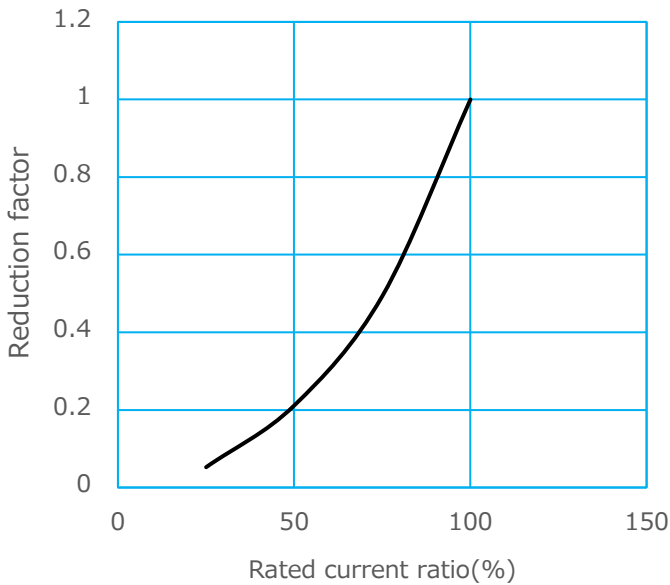
Fig2



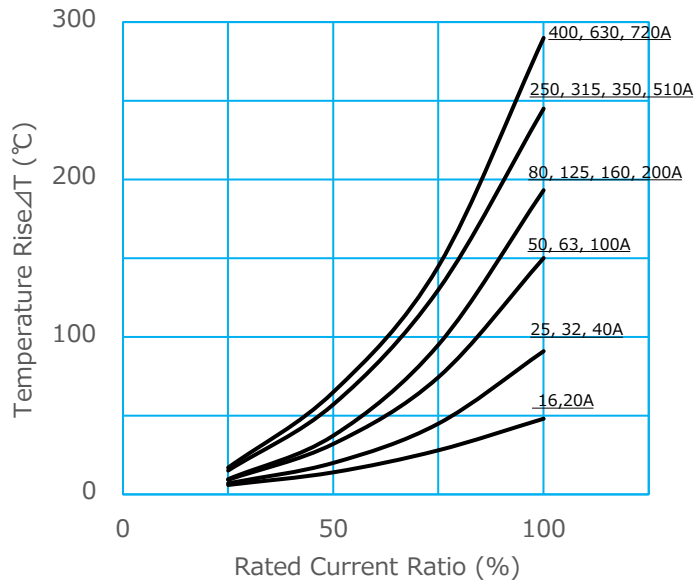
Fusing Characteristics



Power Loss



Temperature Rise



Agency

contact information (for inquiries)

Topic No.T19-02E-Rev3

HINODE Electric CO.,LTD

1-18-9 Hokima Adachi-KU, TOKYO

<http://www.hinodedenki.co.jp/en>

int@hinodedenki.co.jp