

New

HT7723

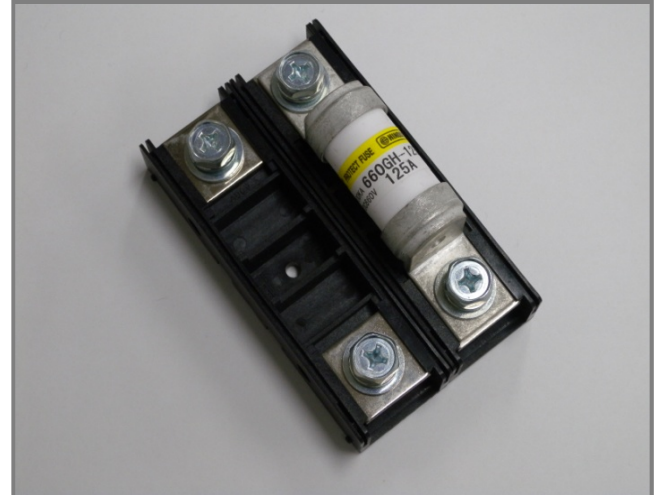
800V Fuse Holder



Scheduled release – January 2013

Features

- Able to withstand use with fuses of up to 800V
- Convenience in connectability and design
- DIN rail or direct placement options available
- Easy connection with thick wiring
- Bolt installation provides stability



Not UL recognized

Specifications

HT7723	
Rated voltage	800V
Rated current	100A ※1
Applicable wires	MAX 38mm ² or AWG#1 (M8)
Installation method	On DIN rail or direct placement
Insulation resistance	2000MΩ or higher
Withstand voltage	AC3500V, 50/60Hz, For 1minute
Material	PBT

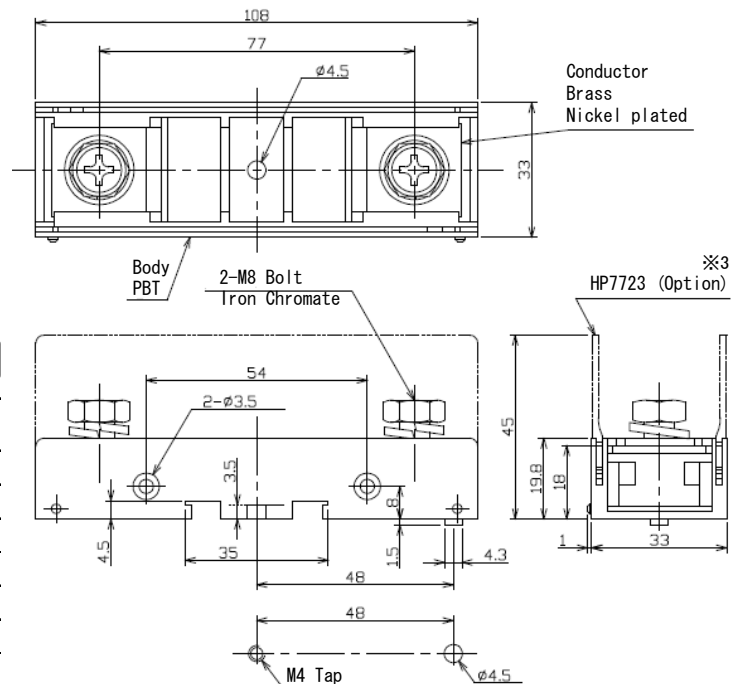
※1: Capable of carrying continuous current

Applicable fuses

Type	Rated voltage	Rated current ※2
660GH-125UL	AC/DC660V	125A
660GH-160UL		160A
660GH-200UL		200A
750GH-125UL	AC850V DC750V	125A
750GH-160UL		160A
750GH-200UL		200A

※2: Should be used within the specifications of the fuse holder.

Dimensions (mm)



※3: HP7723 (option) is under development.

For inquiries, please contact our sales department at;
Tel: 03-3860-8661 Fax: 03-3860-8660 E-mail: uketsuke@hinodedenki.co.jp

All specified data in this leaflet is based on available information at the time of publication, and the products and/or specifications may be subject to change without notice.

We recommend that all our customers check the latest product information on our web site (<http://www.hinodedenki.co.jp>) as well as contacting us before placing orders.