

# 750GH

## Fast acting fuse — For protection of semiconductor devices

### Features

- ◇ High voltage (AC850V, DC750V)  
- Same fuse size as 660GH series
- ◇ Screw installation type
- ◇ Space-efficient
- ◇ Indicator attachable by option

### Specifications

Rated voltage & breaking capacity: AC850V-10kA / DC750V-10kA (L/R=2ms)



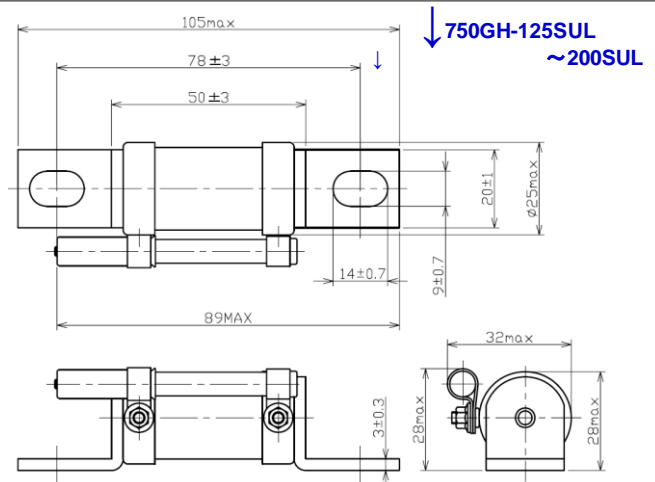
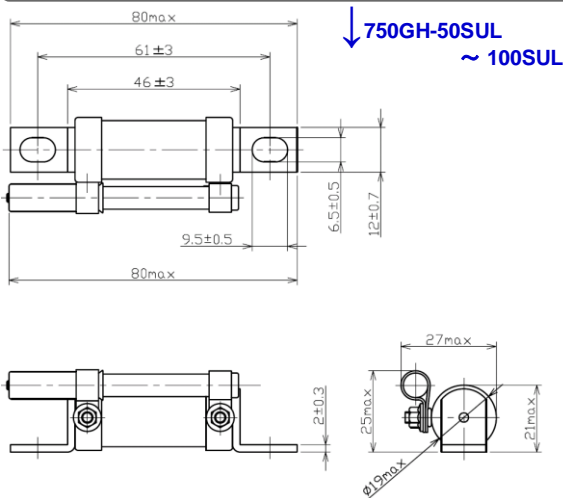
Type	Rated Amperage (A)	Fusing I <sup>2</sup> t (A <sup>2</sup> S)	Shutdown I <sup>2</sup> t (A <sup>2</sup> S) at AC850V-10kA	Power Loss (W)	Weight (g)	Standard Approved
750GH-50UL	50	311.5	7100	9.3	37	
750GH-63UL	63	424.0	8300	11.1		
750GH-75UL	75	553.8	9500	15.7		
750GH-80UL	80	553.8	9500	18.0		
750GH-100UL	100	865.3	12000	21.5		
750GH-125UL	125	1695.9	17000	21.1	100	
750GH-160UL	160	2803.5	22000	29.2		
750GH-200UL	200	4188.0	26000	43.9	180	
750GH-250UL	250	7787.5	36000	48.7		
750GH-300UL	300	9422.9	39000	92.3		
750GH-315UL	315	9422.9	39000	102.6		

When purchasing a product with an indicator fuse, enter "S" after the ampere rating. (e.g. :750GH-40**S**UL)

#### Caution!

- ※ Arc re-ignition may occur if the fusing current is less than 8 times larger than the fuse rated current.  
In this case, the fuse should be used in conjunction with other protectors.
- ※ Fuse should be used at less than 60% of the rated current.

### Dimensions (mm)



For inquiries, please contact our sales department at;  
Tel: 03-3860-8661 Fax: 03-3860-8660 E-mail: [uketsuke@hinodedenki.co.jp](mailto:uketsuke@hinodedenki.co.jp)

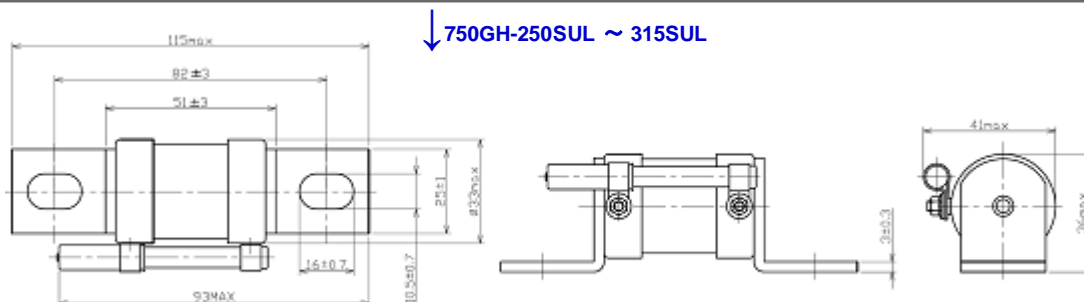
All specified data in this leaflet is based on the information at the time of publication, and the products and/or specifications may be subject to change without notice.

We recommend that all our customers check the latest product information on our web site ([http:// www.hinodedenki.co.jp](http://www.hinodedenki.co.jp)) as well as contacting us before placing orders.

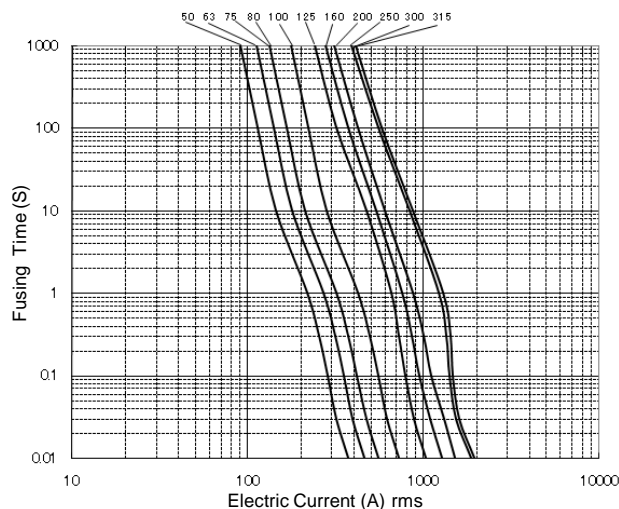
# 750GH

Fast acting fuse — For protection of semiconductor devices

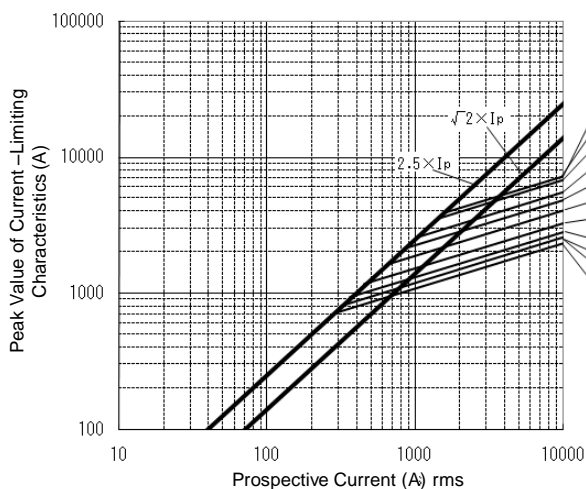
## Dimensions (mm)



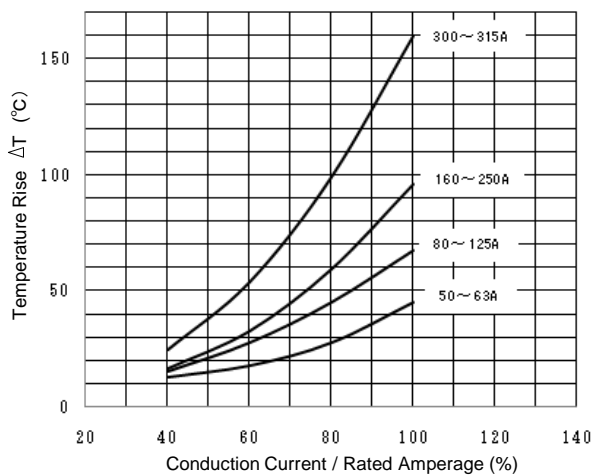
## Fusing Characteristics



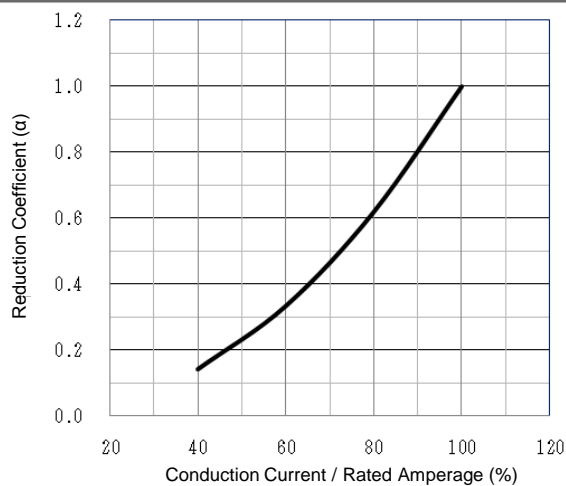
## Current-Limiting Characteristics



## Temperature Rise



## Power Loss



For inquiries, please contact our sales department at;  
 Tel: 03-3860-8661 Fax: 03-3860-8660 E-mail: [uketsuke@hinodedenki.co.jp](mailto:uketsuke@hinodedenki.co.jp)

All specified data in this leaflet is based on the information at the time of publication, and the products and/or specifications may be subject to change without notice.

We recommend that all our customers check the latest product information on our web site ([http:// www.hinodedenki.co.jp](http://www.hinodedenki.co.jp)) as well as contacting us before placing orders.