

HINODE ELECTRIC CO., LTD.
Sales Department
TEL: 03-3860-8661 FAX: 03-3860-8660

Subject: Discontinuance of production for 1000FH series fuses

1. Products discontinued

All rated fuses in our 1000FH series

1000FH-XX 1000FH-XXUL, 1000FH-XXS, 1000FH-XXSUL,
1000FH-XX-F 1000FH-XXUL-F 1000FH-XXS-F 1000FH-XXSUL-F
(XX refers to the related fuse rated current)

2. Reasons for discontinuation

Our 1000GH series fuses, the succeeding model of our 1000FH, have been on sale for more than 10 years. Recently the sales volume for the 1000FH has been decreasing, and the material costs have steeply risen. As the result, we came to the conclusion that we would discontinue the production for our 1000FH series fuses.

3. Substitute fuses: 1000GH series

The installation pitch and the specifications of the 1000GH are not identical to the 1000FH ones. Please refer and compare the data in Appendix 1, 2 and 3 in order to select the fuse that best suits to your requirements.

4. Termination schedule

Purchase orders (except for maintenance purpose orders) will be accepted until June 30, 2011.
The last delivery date (except for maintenance purpose orders) will be on September 30, 2011.

For maintenance, we will accept orders until March 31, 2015.

The last delivery date for the products will be on March 31, 2016.

Please note;

- We will require a forecast for maintenance purpose orders, and the product price will be re-quoted in accordance with the quantity in the forecast. Due to the material purchasing, a request for quotation should be sent to us more than 3 months before your requested delivery date for the initial maintenance order.
- After the above dates, basically, we will be unable to accept any purchase orders for the 1000FH series products.

Thank you for your understanding in this matter.

Substitute fuses for the 1000FH series

1000FH series fuses					(Substitute fuses) 1000GH series fuses				
Model	Rated voltage (Vrms)	Rated current (Arms)	Installation pitch	Recommended screws	Model	Rated voltage (Vrms)	Rated current (Arms)	Installation pitch	Recommended screws
1000FH-15	1000	15	82 (±1)	M6	1000GH-16UL	1000	16	81 (±1)	M6
1000FH-20		20			1000GH-20UL		20		
1000FH-25		25			1000GH-25UL		25		
1000FH-30		30			1000GH-32UL		32		
1000FH-35		35			1000GH-40UL		40		
1000FH-45		45			1000GH-50UL		50		
1000FH-60		60	93 (±1)	M8	1000GH-63UL		63		
1000FH-70		70			1000GH-80UL		80		
1000FH-80		85			100 (±3)		M10	1000GH-100UL	100
1000FH-90		90						1000GH-125UL	125
1000FH-100		100	1000GH-160UL	160					
1000FH-120		120	98 (±1.5)	M10	1000GH-200UL		200		
1000FH-150		150			101 (±1)		M10	1000GH-250UL	250
1000FH-175		175						1000GH-315UL	315
1000FH-200		200			101 (±1)		M10	1000GH-400UL	400
1000FH-225		225	103 (±3)	M10				1000GH-500UL	500
1000FH-250		250			103 (±3)		M10	1000GH-630UL	630
1000FH-300		300	1000GH-630UL	630					
1000FH-350		350							
1000FH-400		400							
1000FH-450	450								
1000FH-500	500								
1000FH-550	550								
1000FH-600	600								

* The installation holes are oval shaped: a fuse with slightly different installation pitch may be installable.
Please refer to the tolerances of the installation pitch.

* The substitute products that equal or resemble the terminal shapes, installation dimensions and rated voltage/current are listed. Please check the product specifications in our catalogue and select the fuse that matches your requirements.

* All of the 1000FH series fuses, which are with or without additional suffixes (like "S," "UL," "SUL," "-F," "S-F," "UL-F," "SUL-F"), share the above specifications.
1000FH-**S, 1000FH-**SUL, 1000FH-**S-F and 1000FH-**SUL-F are substitutable to 1000GH-**SUL.
(For example: 1000FH-250S → (Substitute) 1000GH-250SUL)

* All of 1000GH series fuses, which are with or without the additional suffix (like "SUL"), share the above specifications.

* If the fuse replacement is made by someone other than the circuit developer, Hinode will not be responsible for the operation. Even it is made by the circuit developer, please ensure that the replacement fuse you select is suitable and matches current requirements. Safety and security in design and use are the user's responsibility.

Issued on Mar. 31, 2011

Issued by HINODE ELECTRIC CO., LTD.
TEL: 03-3860-8661 FAX: 03-3860-8660
E-mail: uketsuke@hinodedenki.co.jp

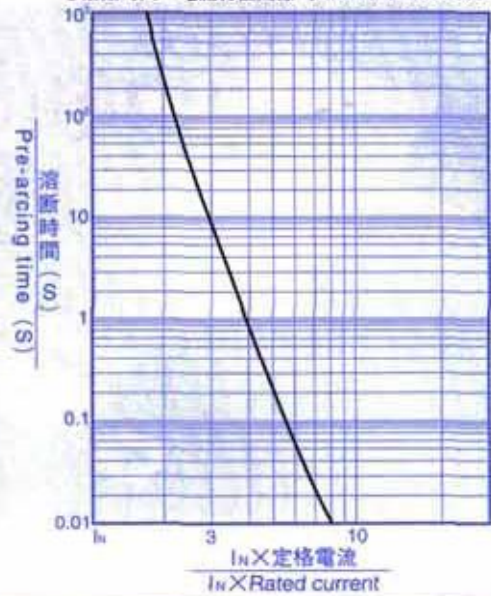
1000FH SERIES

1000V AC,DC

- 定格電圧 1000V AC,DC ●定格電流 15~600A
- しゃ断容量 1000V-100KA AC,DC (L/R 10mS) ●UL規格認定品
- Voltage Rating 1000V AC,DC ●Current Rating 15~600A
- Breaking Capacity 1000V-100KA AC,DC (L/R 10mS) ●UL Recognized.



○溶断時間-電流特性曲線 (Time Current curve)



◆仕様/Specifications

Type		定格電流	溶断 I ² t	全しゃ断 I ² t Total I ² t (A ² S)	電力損失 (W)	接続導体 mm	外形寸法 Dimensions (m/m)										重量	注	Fig	
Without indicator	With indicator	Ampere Rating	Pre-arc I ² t (A ² S)	at AC 1000V-100KA	Power Loss	Connect Conductor	A	B	C	D	E	F	G	H	W	T	g	pcs		
1000FH-15	1000FH-15S	15A	20	230	3.5	24														
1000FH-20	1000FH-20S	20A	30	350	4.5	24														
1000FH-25	1000FH-25S	25A	50	600	5.0	24														
1000FH-30	1000FH-30S	30A	100	900	6.0	24	95	82	66	27	21	8	6.5	28	14	2	66	10	1	
1000FH-35	1000FH-35S	35A	130	1,200	7.5	24														
1000FH-45	1000FH-45S	45A	200	2,000	11.0	24														
1000FH-60	1000FH-60S	60A	380	3,500	14.0	75														
1000FH-70	1000FH-70S	70A	460	5,000	16.0	75														
1000FH-80	1000FH-80S	80A	670	7,000	18.0	75														
1000FH-90	1000FH-90S	90A	900	9,000	20.0	75	113	93	70	36	32	12	8.5	37	22	3	200	5	1	
1000FH-100	1000FH-100S	100A	1,200	11,000	22.0	75														
1000FH-120	1000FH-120S	120A	1,800	18,000	25.0	75														
1000FH-150	1000FH-150S	150A	3,300	28,000	30.0	100														
1000FH-175	1000FH-175S	175A	4,100	40,000	35.0	100														
1000FH-200	1000FH-200S	200A	6,000	55,000	40.0	150	120	98	70	40	38	12	10.5	42	25	3.5	310	5	1	
1000FH-225	1000FH-225S	225A	7,500	68,000	40.0	150														
1000FH-250	1000FH-250S	250A	10,500	96,000	45.0	150														
1000FH-300	1000FH-300S	300A	16,000	145,000	55.0	240	128	103	70	50	46	15	10.5	50	34	3.5	410	5	1	
1000FH-350	1000FH-350S	350A	23,000	200,000	65.0	240														
1000FH-400	1000FH-400S	400A	32,000	265,000	75.0	240	120	98	70	40	38	12	10.5	46	25	7	610	4	2	
1000FH-450	1000FH-450S	450A	42,000	350,000	85.0	300														
1000FH-500	1000FH-500S	500A	53,000	440,000	95.0	300														
1000FH-550	1000FH-550S	550A	66,000	570,000	105.0	360	128	103	70	50	46	15	10.5	54	34	7	870	3	2	
1000FH-600	1000FH-600S	600A	75,000	620,000	120.0	360														

- 1000FH 350A以上のヒューズを使用する場合は1000SPFの方が経済的です。
- 警報ヒューズ及びマイクロスイッチはオプションです。(17P参照)
- 他に1000GHエコノミータイプシリーズがあります。

◆外形図：Outline Dimensional Drawings (m/m)

fig 1

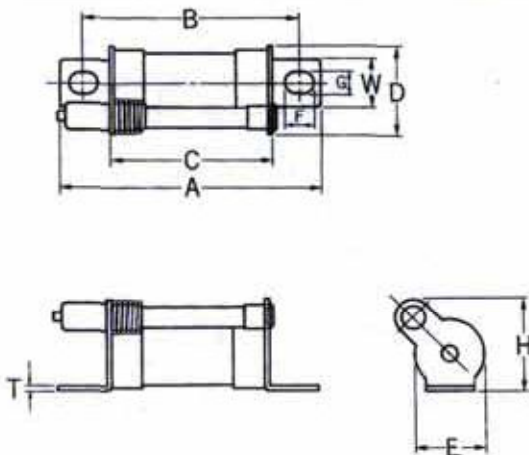
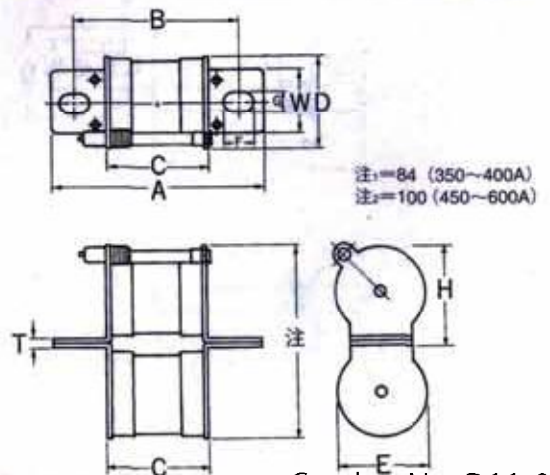
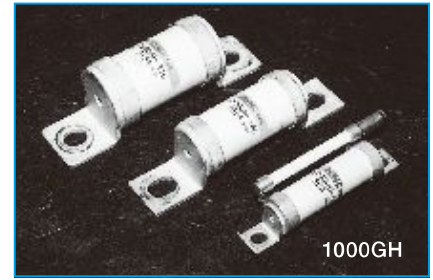


fig 2





特 徴

- 溶断したかどうか判る警報ヒューズ付タイプ有り
(マイクロスイッチ取付可能)
- 低コストの筒型ヒューズで1000V対応
- 遮断性能が高いヒューズとして400V系アプリケーションにも有効

定 格

定格電圧・遮断容量：AC1000V-100KA
 DC1000V(L/R3ms)-100KA
 最小遮断電流：AC/DC1000V-定格電流の6倍
 最大アーク電圧：2000V

UL規格認定定格

定格電圧・遮断容量：標準定格と共通

注 意

- 巻末の「PROTECT FUSE ご利用ガイド」「安全にお使い頂くために」をご参照の上ご使用下さい。
- 警報ヒューズ付をお求めの際には、品名のアンペア表記の後に“S”を付けてご指定下さい。(例：1000GH-100SUL)
- 警報ヒューズの最小動作電圧は10Vです。

仕 様

Type	定格電流 (A)	溶断I _t (A ² S)	全遮断I _t (A ² S) at AC1000V-100KA	電力損失 (W)	寸法(mm)										質量 (g)	Fig	取得規格
					A	B	C	D	E	F	G	H	W	T			
1000GH-16UL	16	20	230	3.6	95	81	66	27	20	8	6.5	22	14	2	64	1	UL
1000GH-20UL	20	30	350	4.5													
1000GH-25UL	25	50	600	5.0													
1000GH-32UL	32	85	900	6.0													
1000GH-40UL	40	145	1400	8.0													
1000GH-50UL	50	230	2300	12.0													
1000GH-63UL	63	330	3200	25.0													
1000GH-80UL	80	580	5500	28.0	126	99	69	39	31	16	10.5	35	25	3	196		
1000GH-100UL	100	1000	8500	30.0													
1000GH-125UL	125	1650	15500	42.0													
1000GH-160UL	160	2500	22000	65.0	127	101	70	44	37	13	11	40	30	3	282		
1000GH-200UL	200	4000	35000	75.0													
1000GH-250UL	250	6600	62000	90.0													
1000GH-315UL	315	10000	90000	120.0													
1000GH-400UL	400	16000	145000	155.0	127	101	70	44	37	13	11	40	30	6	570	2	
1000GH-500UL	500	26400	250000	190.0													
1000GH-630UL	630	39500	370000	250.0													

外形寸法

Fig 1

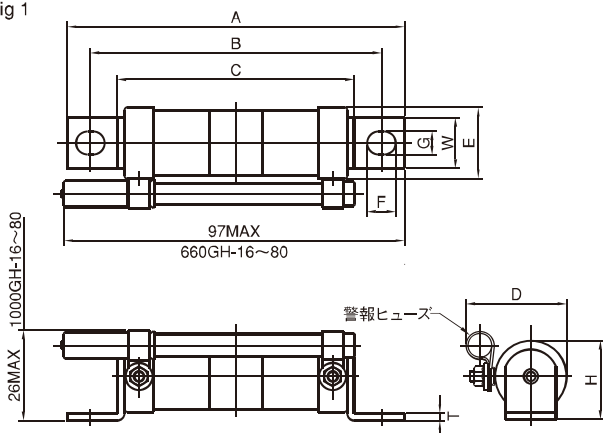
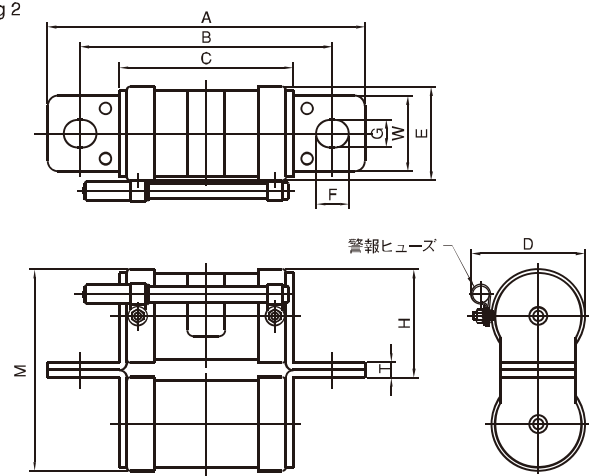
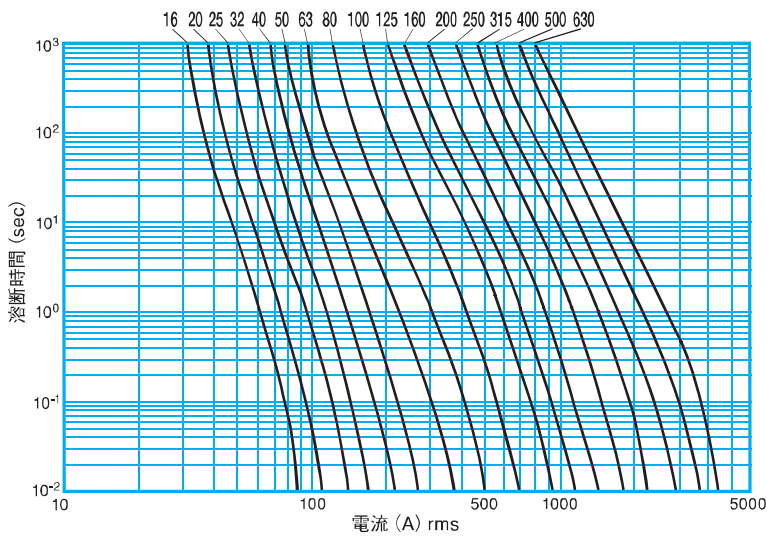


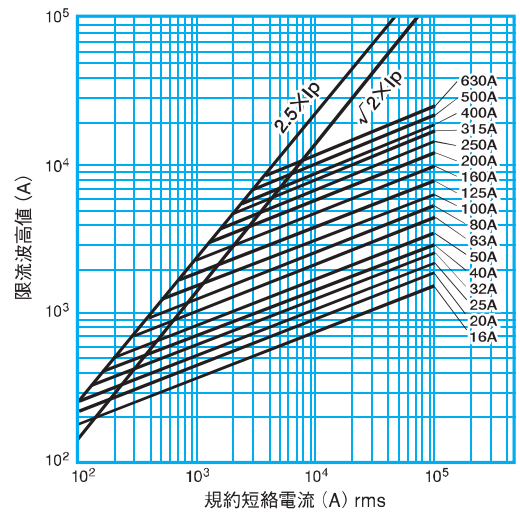
Fig 2



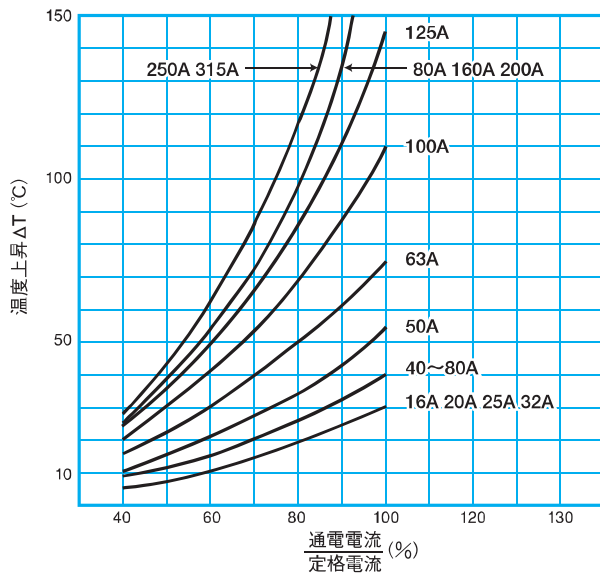
溶断特性



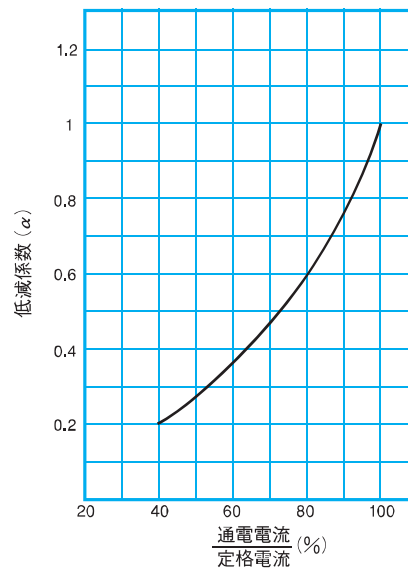
限流特性



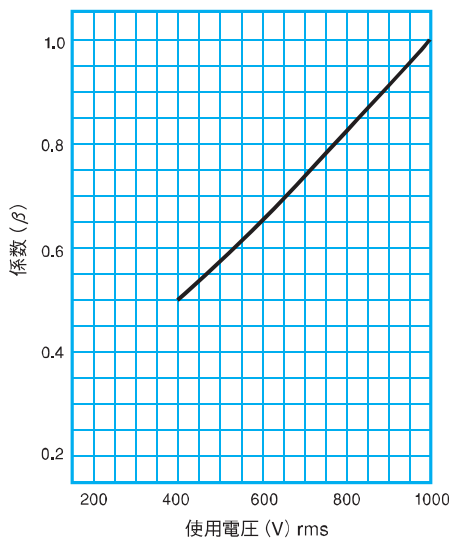
温度上昇



電力損失



交流使用電圧に対する全遮断 I^2t



直流回路への適用

