

# 400VSK60M8

## Features

- "400VSK" supports to design which for miniaturization of mount boards for Servo, Power conditioner, and Inverter.
- This fuse achieves a rated current **60A** with a cylinder size "φ6.6X25mm".
- Realization 1/3 of the volume and weight of conventional products, and contribution for weight reduction of mounted products. (\*).
- Available to use both **AC** and **DC** \* Compared to our products

## Rated

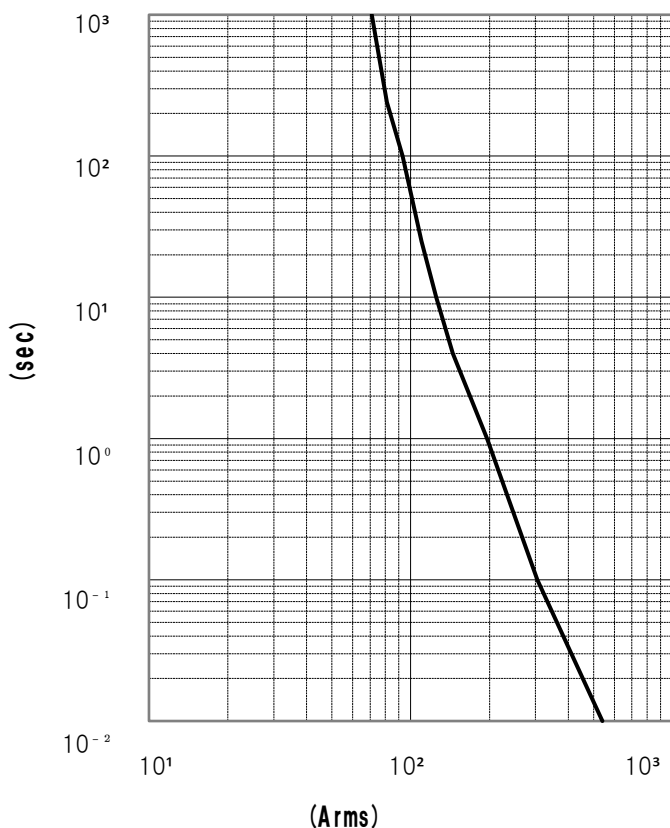
- Rated Voltage/Blocking capacity AC400V-10kA / DC400V-10kA (L/R=1ms)
- Minimum blocking current: DC300V:360A(6-times the rated current), L/R=1ms  
DC400V:1kA(16-times the rated current), L/R=1ms



## 仕様

TYPE	Rated current (A)	Fusing <sup>1</sup> 2T (A <sup>2</sup> S)	Shut down <sup>2</sup> T(A <sup>2</sup> S) at DC400-10kA	Temperature rise (Δt)※	Watt-loss (the current capacity is 50% load)	Weight(g)
400VSK60M8	60	1800	3300	ΔT54.7°C (30A Energized)	1.9w(30A)	2.8

400VSK60M8 Fusing characteristics



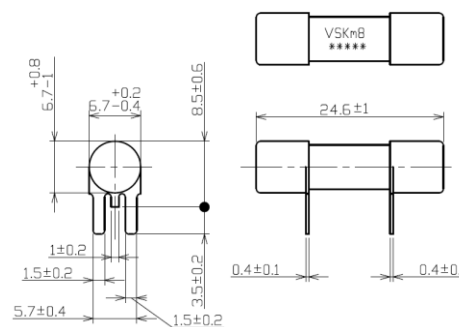
※Consider to use A(rms) that is 50% or less of the rated current.

Set the fuse temperature 120°C or less when it uses. It may cause to melt terminals by solder leaching.

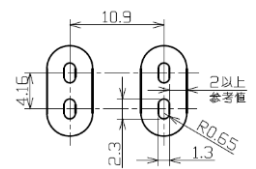
- No standard-

【Scheduled to be acquired】

## Dimensions(mm)



## Board mounting design



Please contact us in advance if you would consider to uses.

**HINODE** Electrics co., ltd Sales dept

<https://www.hinodedenki.co.jp/en/>

int@hinodedenki.co.jp